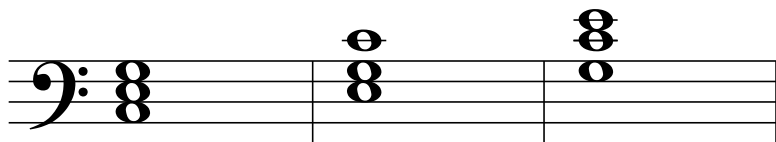
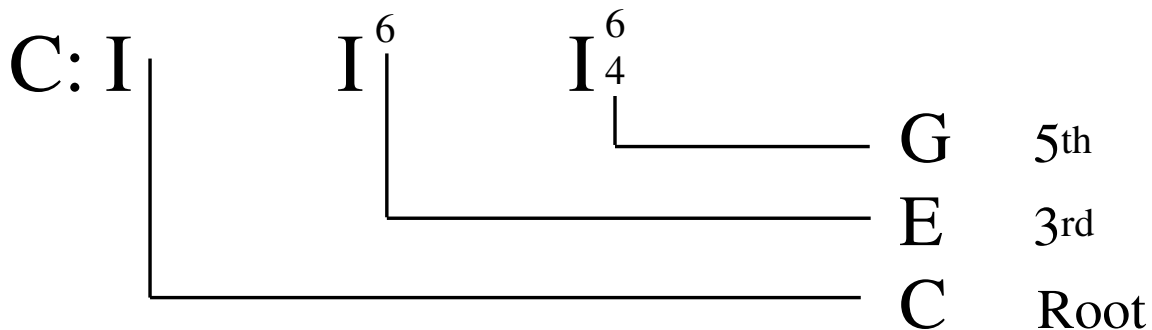


Figures for inversions

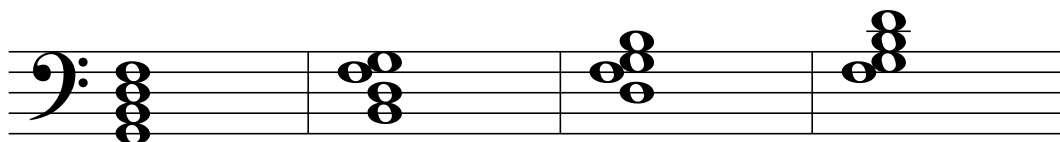
Triads



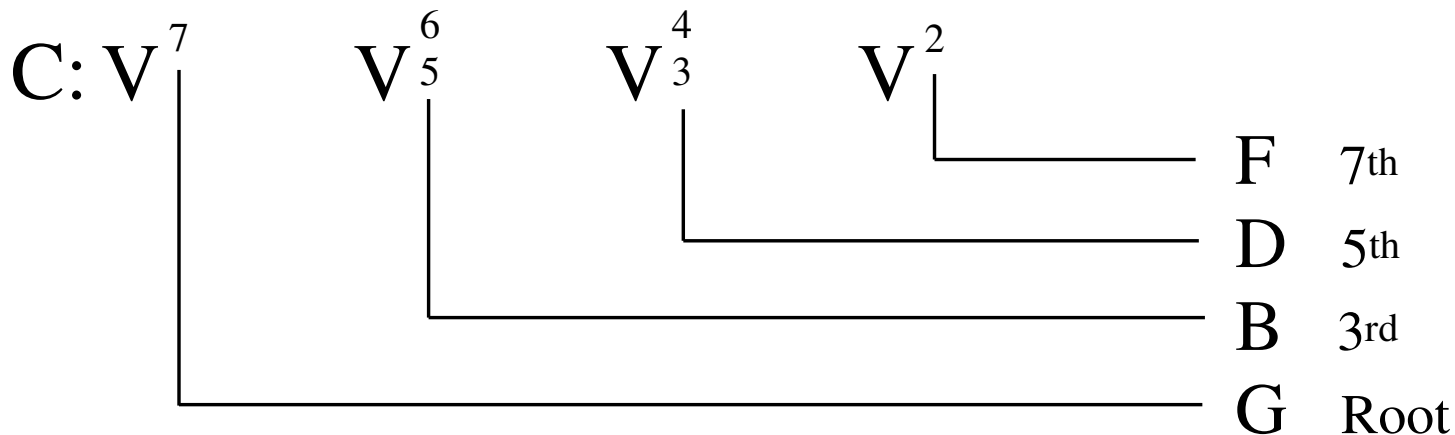
“Root, 3rd, 5th, (rest)
none, six, six-four!”



Seventh Chords



“Root, 3rd, 5th, 7th,
7, 6-5, 4-3, 2!”



Note

$$2 = \frac{4}{2}$$